

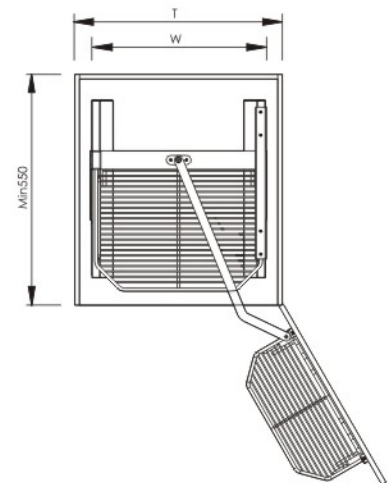
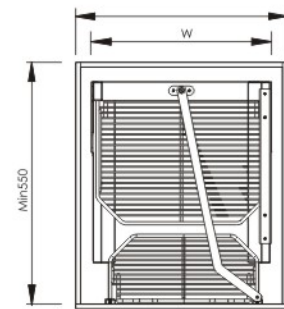
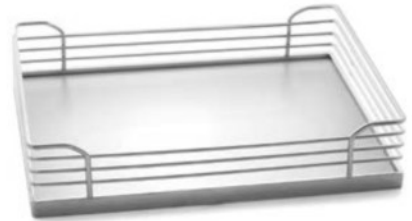
LARANZA™
GERMAN TECH

**KITCHEN & WARDROBE
ACCESSORIES**



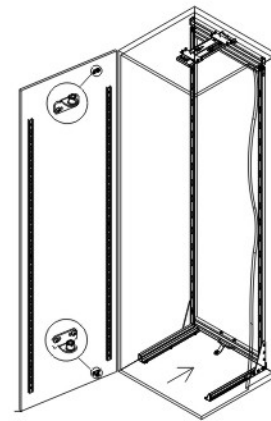
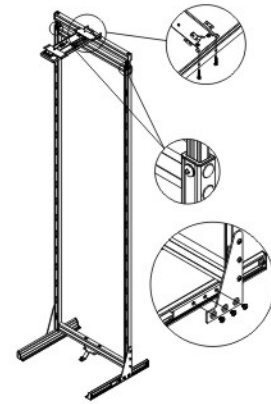
STORAGE UNITS





Wooden Pantry

| Item Code | | Dimensions (W x D x H) mm | Finish | Cabinet Width |
|-----------|---------|---------------------------|----------------|---------------|
| LWP454 | 4 Layer | 365 x 500 x (1150-1450) | Diamond, Arena | 450 mm |
| LWP456 | 6 Layer | 365 x 500 x (1850-2150) | Diamond, Arena | 450 mm |
| LWP604 | 4 Layer | 515 x 500 x (1150-1450) | Diamond, Arena | 600 mm |
| LWP606 | 6 Layer | 515 x 500 x (1850-2150) | Diamond, Arena | 600 mm |



Satin Pantry

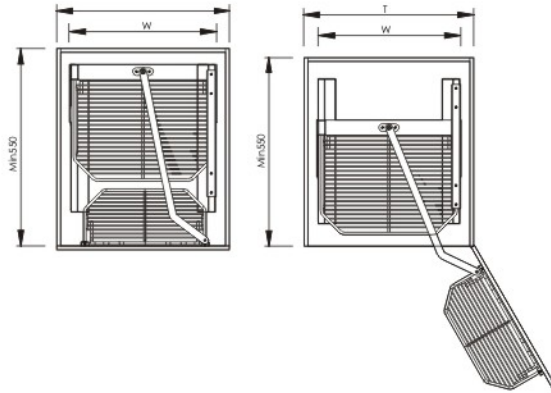
| Item Code | | Dimensions (W x D x H) mm | Style | Cabinet Width |
|-----------|---------|---------------------------|-----------------|---------------|
| LSSP454 | 4 Layer | 365 x 500 x (1240-1450) | Stainless Steel | 450 mm |
| LSSP456 | 6 Layer | 365 x 500 x (1950-2150) | Stainless Steel | 450 mm |
| LSSP604 | 4 Layer | 515 x 500 x (1240-1450) | Stainless Steel | 600 mm |
| LSSP606 | 6 Layer | 515 x 500 x (1950-2150) | Stainless Steel | 600 mm |



Also Available



Purple Crystal



Glass Pantry

| Item Code | | Dimensions (W x D x H) mm | Color | Cabinet Width |
|-----------|---------|---------------------------|----------------|---------------|
| LGPSC450 | 6 Layer | 365 x 500 x 1780-2100 | Silver Crystal | 450 mm |
| LGPSC600 | 6 Layer | 515 x 500 x 1780-2100 | Silver Crystal | 600 mm |
| LGPPC450 | 6 Layer | 365 x 500 x 1950-2100 | Purple Crystal | 450 mm |
| LGPPC600 | 6 Layer | 515 x 500 x 1950-2100 | Purple Crystal | 600 mm |

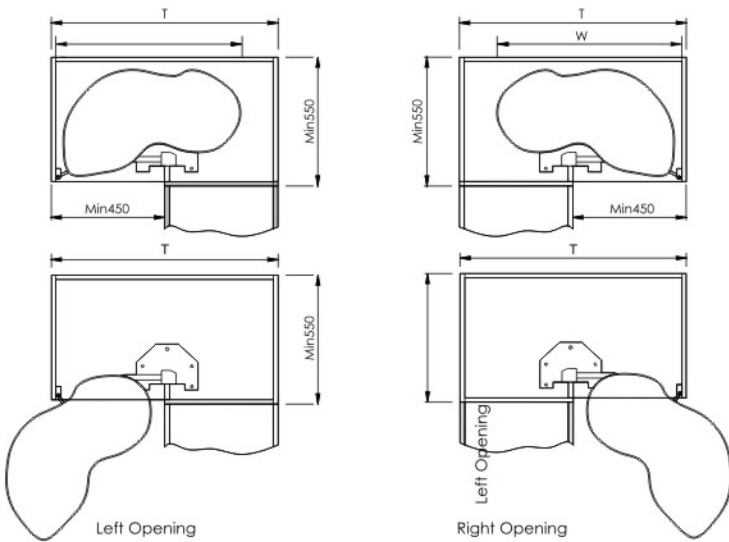


Space Pantry

| Item Code | | Dimensions (W x D x H) mm | Color | Cabinet Width |
|-----------|---------|---------------------------|----------------|---------------|
| LSP405 | 5 Layer | 380 x 535 x (1720-2020) | Silver Crystal | 450 mm |
| LSP406 | 5 Layer | 480 x 535 x (1720-2020) | Silver Crystal | 600 mm |



Also Available

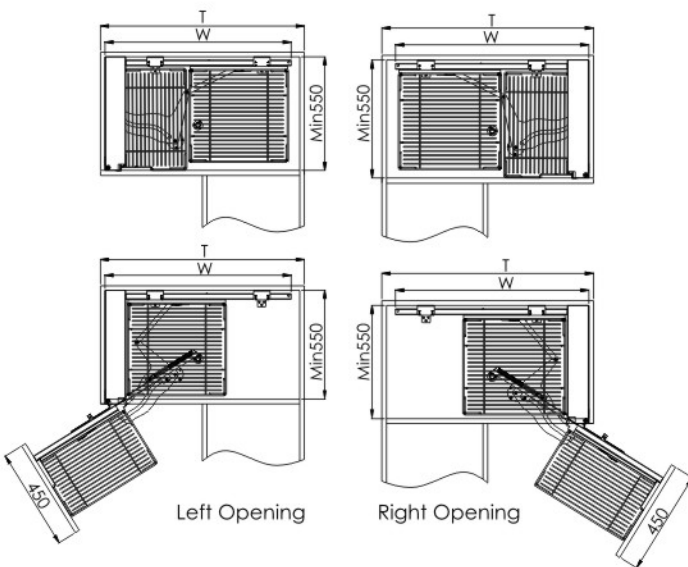


Swing Magic Corner (Soft Closing)

| Item Code | Dimensions (W x D x H) mm | Cabinet Size |
|-----------|---------------------------|--------------|
| LSTWL | 865 x 495 x (650-750) | 900-1050 |
| LSTWR | 865 x 495 x (650-750) | 900-1050 |
| LSTASL | 865 x 495 x (650-750) | 900-1050 |
| LSTASR | 865 x 495 x (650-750) | 900-1050 |

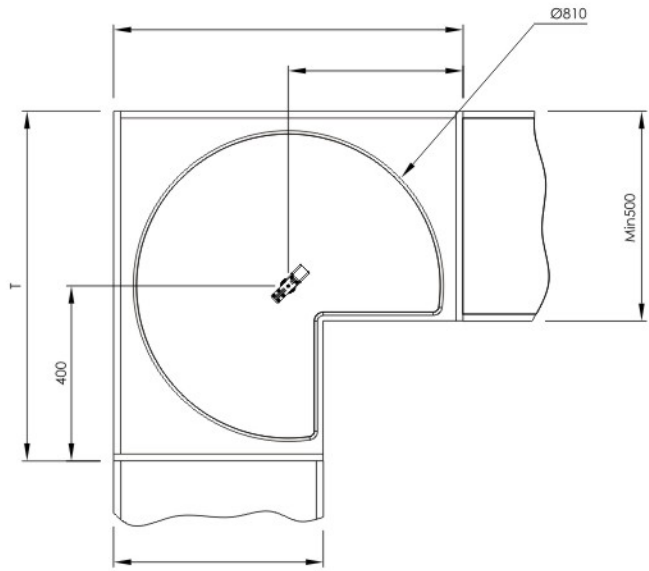


Also Available



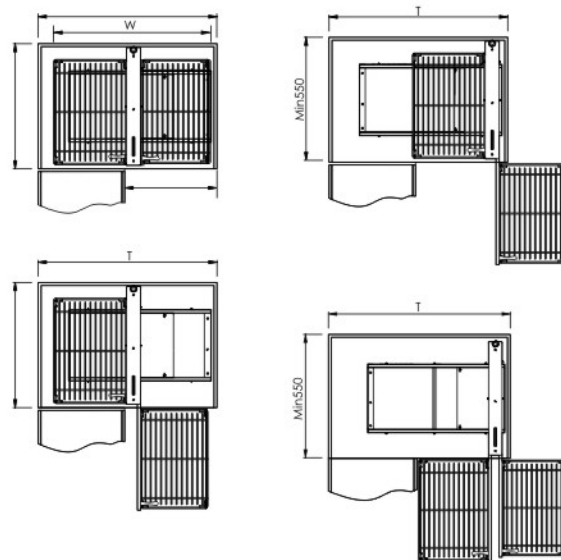
Soft Close Magic Corner

| Item Code | Dimensions (W x D x H) mm | Cabinet Size |
|-----------|---------------------------|--------------|
| LSMCWL | (864-964) x 480 x 525 | 900-1000 |
| LSMCWR | (864-964) x 480 x 525 | 900-1000 |
| LSMCDL | (864-964) x 480 x 525 | 900-1000 |
| LSMCDR | (864-964) x 480 x 525 | 900-1000 |
| LSMCSS | (864-964) x 480 x 525 | 900-1000 |



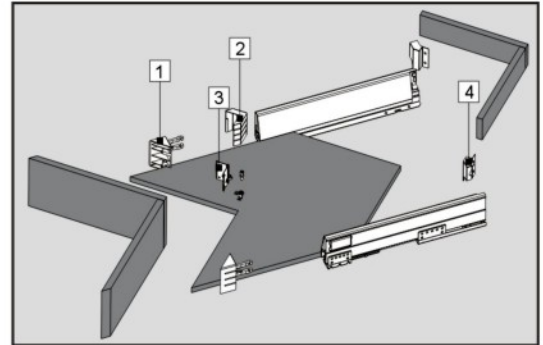
Wooden Carousel 270Deg

| Item Code | Dimensions (W x D x H) mm | Cabinet Size |
|-----------|---------------------------|--------------|
| LWC270 | 813 x 552 x (600-730) mm | 900 mm |



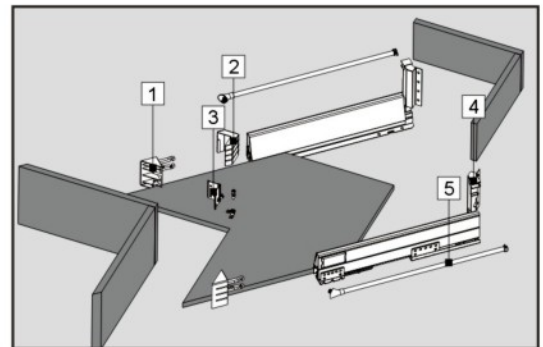
Universal Show Hand Corner

| Item Code | Dimensions (W x D x H) mm | Cabinet Size |
|-----------|---------------------------|--------------|
| LUSHCW | 670 X 460 X 600 | 900 - 1050 |
| LUSHCD | 670 X 460 X 600 | 900 - 1050 |



Corner Drawer

| | | |
|-------|--------------|-------|
| LCDWP | Depth 500 mm | White |
|-------|--------------|-------|



Corner Drawer

| | | |
|--------|--------------|-------|
| LCDWG | Depth 550 mm | White |
| LCDWHG | Depth 550 mm | White |



Anodized Finish



SS Hairline Finish

Rolling Shutters

| Item No. | Finish | Dimensions (W x H) mm | Cabinet Width |
|-----------|----------|-----------------------|---------------|
| LPRS 600 | Silver | 600 x 1320 | 600 |
| LARS 450 | Silver | 450 x 1320 | 450 |
| LARS 600 | Silver | 600 x 1320 | 600 |
| LSSRS 600 | SS Brush | 600 x 1320 | 600 |
| LARS 900 | Silver | 900 x 1320 | 900 |



Rolling Shutters

| Item No. | Finish | Dimension (W x H) mm | Cabinet Width |
|----------|-------------|----------------------|---------------|
| LWGRS | White | 600 x 1320 | 600 |
| LBGRS | Black | 600 x 1320 | 600 |
| LMGRS | Mirror Grey | 600 x 1320 | 600 |
| LFGRS | Frosted | 600 x 1320 | 600 |



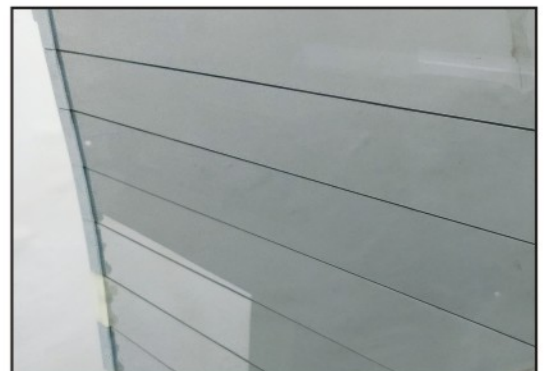
Frosted Glass



Black Glass



White Glass



Mirror Grey Glass



Satin BPO (3 Layer)

| Item Code | Dimensions (W x D x H) mm | Cabinet Width |
|-----------|---------------------------|---------------|
| LBPO300 | 240 x 500 x 590 | 300 mm |



Satin BPO (2 Layer)

| Item Code | Dimensions (W x D x H) mm | Cabinet Width |
|-----------|---------------------------|---------------|
| LBPO150 | 104 x 500 x 490 | 150 mm |
| LBPO200 | 154 x 500 x 490 | 200 mm |
| LBPO250 | 204 x 500 x 490 | 250 mm |



Satin Basket

| Item Code | Dimensions (W x D x H) mm | Cabinet Width |
|-----------|---------------------------|---------------|
| LSPO600 | 564 x 500 x 150 | 600 mm |
| LSPO900 | 864 x 500 x 150 | 900 mm |



Satin Cutlery

| Item Code | Dimensions (W x D x H) mm | Cabinet Width |
|-----------|---------------------------|---------------|
| LCPO600 | 564 x 500 x 100 | 600 mm |
| LCPO900 | 864 x 500 x 100 | 900 mm |



Wooden BPO (Diamond Style)

| Item Code | Dimensions (W x D x H) mm | Cabinet Width |
|-----------|---------------------------|---------------|
| LDWPO150 | 102 x 480 x 490 | 150 mm |



Wooden BPO (Diamond Style)

| Item Code | Dimensions (W x D x H) mm | Cabinet Width |
|-----------|---------------------------|---------------|
| LDWPO 200 | 152 x 480 x 600 | 200 mm |
| LDWPO 300 | 252 x 480 x 600 | 300 mm |



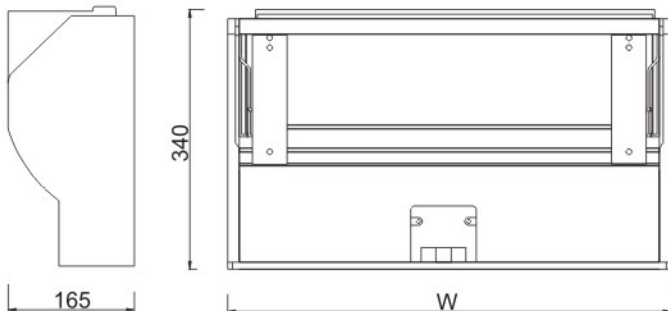
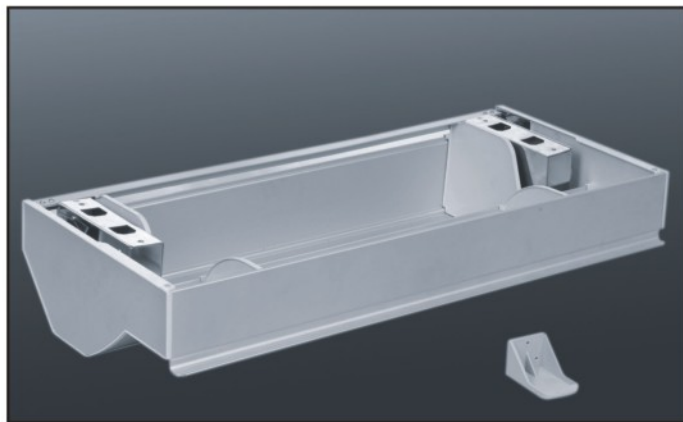
Wooden BPO (Arena Style)

| Item Code | Dimensions (W x D x H) mm | Cabinet Width |
|-----------|---------------------------|---------------|
| LAWPO 200 | 160 x 480 x 600 | 200 mm |
| LAWPO 300 | 234 x 480 x 600 | 300 mm |

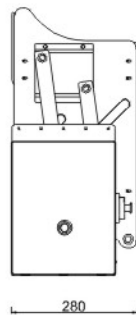
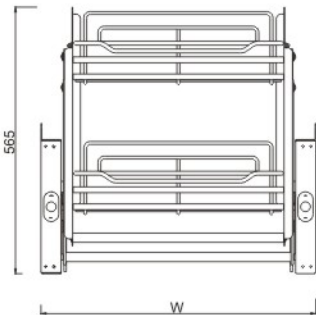


Liquid Rack

| Item Code | Dimensions (W x D x H) mm | Cabinet Width |
|-----------|---------------------------|---------------|
| LLR | 280 x 450 x 360 | 350 mm |



| Midway Storio | | |
|---------------|---------------------------|---------------|
| Item Code | Dimensions (W x D x H) mm | Cabinet Width |
| LMWS 600 | 560 x 340 x 145 | 600 |
| LMWS 900 | 860 x 340 x 145 | 900 |



Pull Down Unit

| Item Code | Dimensions (W x D x H) mm | Cabinet Width |
|-----------|---------------------------|---------------|
| LPD 600 | 565 x 280 x 560 | 600 |
| LPD 900 | 865 x 280 x 560 | 900 |
| LPDS 600 | 565 x 280 x 560 | 600 |
| LPDS 900 | 865 x 280 x 560 | 900 |

DRAWER ORGANIZERS



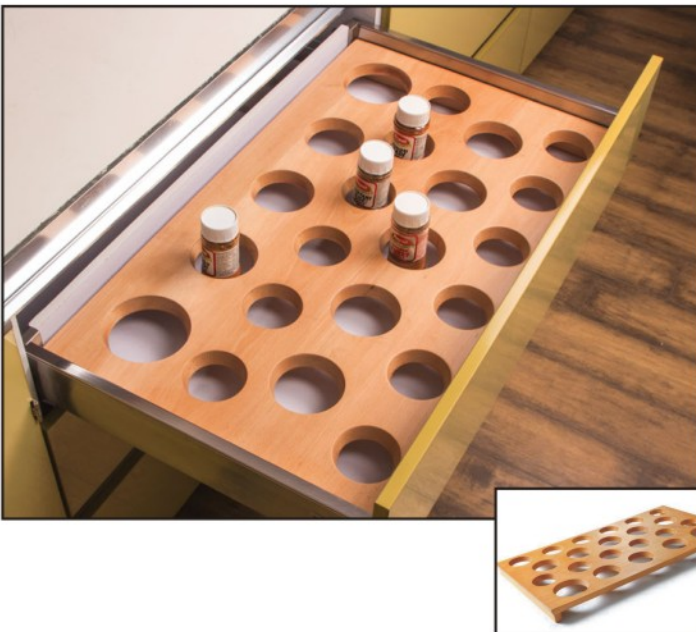


WOODEN ADJUSTABLE CUTLERY

| Item Code | Cabinet Size | Colour |
|-----------|-------------------------|-------------|
| LWAC600 | 450 - 600 mm Adjustable | Steam Beach |
| LWAC900 | 600 - 900 mm Adjustable | Steam Beach |

WOODEN PLATE HOLDER

| Item Code | Cabinet Size | Colour |
|-----------|--------------|-------------|
| LWPH600 | 600 mm | Steam Beach |
| LWPH900 | 900 mm | Steam Beach |



WOODEN SPICE RACK

| Item Code | Cabinet Size | Colour |
|-----------|--------------|-------------|
| LWSR600 | 600 mm | Steam Beach |
| LWSR900 | 900 mm | Steam Beach |

WOODEN ROD SEPARATOR

| Item Code | Cabinet Size | Colour |
|-----------|--------------|-------------|
| LWRS600 | 600 mm | Steam Beach |
| LWRS900 | 900 mm | Steam Beach |



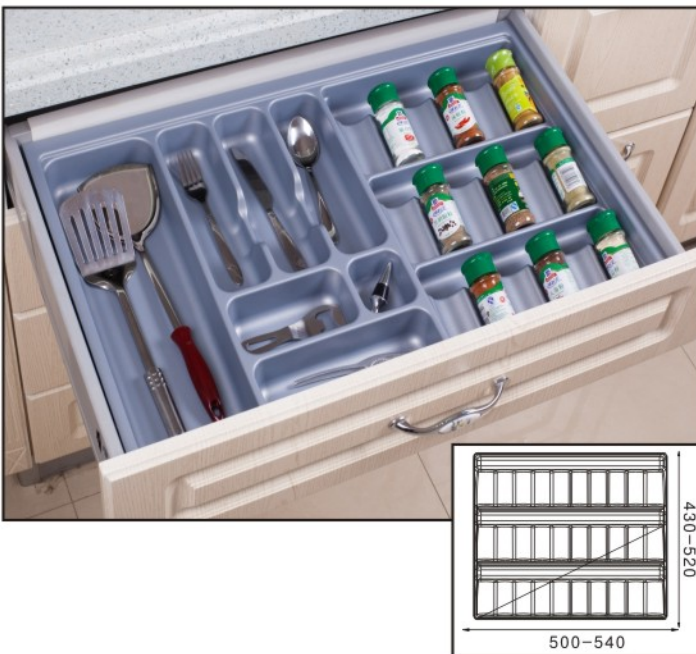
ABS CUTLERY TRAY

| Item Code | Dimensions (W x D x H) mm | Colour |
|-----------|---------------------------|-------------|
| LCT450 | 385 x 485 x 60 | Silver Grey |
| LCT500 | 430 x 485 x 60 | Silver Grey |
| LCT600 | 530 x 485 x 60 | Silver Grey |



ABS CUTLERY TRAY

| Item Code | Dimensions (W x D x H) mm | Colour |
|-----------|---------------------------|-------------|
| LCT700 | 630 x 485 x 60 | Silver Grey |
| LCT800 | 730 x 485 x 60 | Silver Grey |
| LCT900 | 830 x 485 x 60 | Silver Grey |



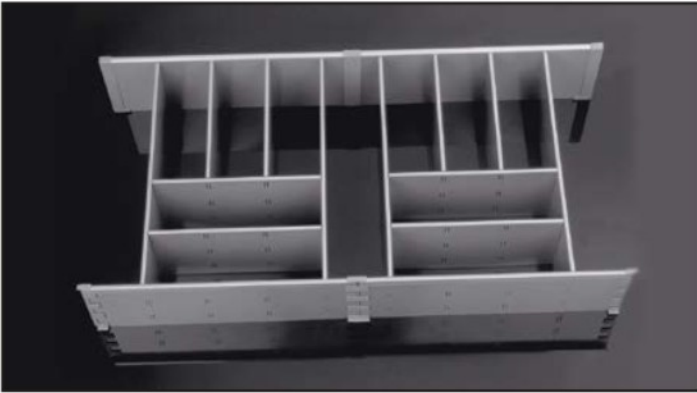
ABS SPICE JAR TRAY

| Item Code | Dimensions (W x D x H) mm | Colour |
|-----------|---------------------------|-------------|
| LSJT600 | 540 x (470-520) x 60 | Silver Grey |
| LSJT900 | 840 x (470-520) x 60 | Silver Grey |



ABS PLATE TRAY

| Item Code | Dimensions (W x D x H) mm | Colour |
|-----------|---------------------------|-------------|
| LPT600 | 540 x (470-520) x 60 | Silver Grey |
| LPT900 | 840 x (470-520) x 60 | Silver Grey |



METAL DIVIDER

| Item Code | Cabinet Size (W x D) | Colour |
|-----------|----------------------|-------------|
| LMD647 | 600 mm x 470 mm | Silver Grey |
| LMD650 | 600 mm x 500 mm | Silver Grey |
| LMD947 | 900 mm x 470 mm | Silver Grey |
| LMD950 | 900 mm x 500 mm | Silver Grey |

STAINLESS STEEL CUTLERY

| Item Code | Cabinet Size | Material |
|-----------|--------------|-----------------|
| LSSC450 | 450 mm | Stainless Steel |
| LSSC600 | 600 mm | Stainless Steel |
| LSSC800 | 800 mm | Stainless Steel |
| LSSC900 | 900 mm | Stainless Steel |



DISH PLATE HOLDER

| Item Code | Dimensions (Diameter x Height) | Material |
|-----------|--------------------------------|----------|
| LDPH | (180-320mm) x 170 | ABS |

WICKER BASKET

| Item Code | Dimensions (W x D x H) mm | Finish |
|-----------|---------------------------|--------------|
| LWB450 | 414 x 500 x (100/150/200) | Natural Wood |
| LWB600 | 564 x 500 x (100/150/200) | Natural Wood |

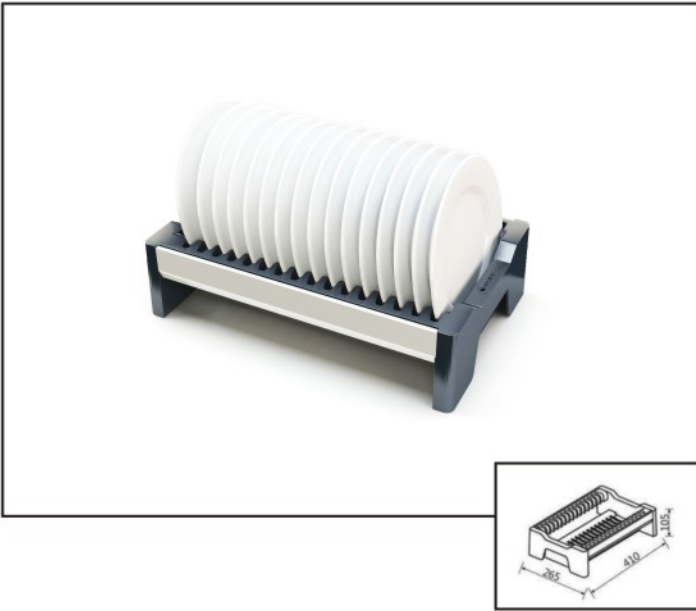
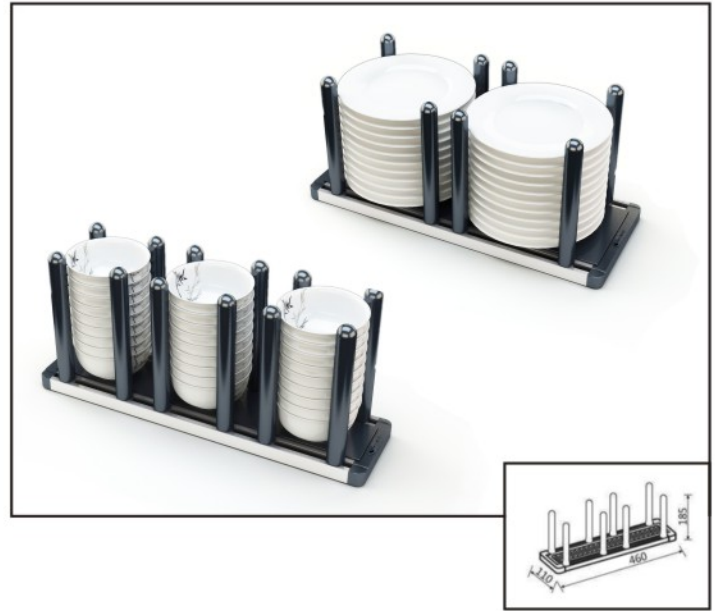


PLATE RACK

| Item Code | Dimensions (W x D x H) mm | Material |
|-----------|---------------------------|----------|
| LPR | 265 x 410 x 105 | ABS |



BOWL & PLATE HOLDER

| Item Code | Dimensions (W x D x H) mm | Material |
|-----------|---------------------------|----------|
| LBH | 110 x 460 x 185 | ABS |
| LPH | 165 x 460 x 185 | ABS |



BOWLS RACK

| Item Code | Dimensions (W x D x H) mm | Material |
|-----------|---------------------------|----------|
| LBR | 87 x 460 x 56 | ABS |



BOTTLE DIVIDER

| Item Code | Dimensions (W x D x H) mm | Material |
|-----------|---------------------------|----------|
| LBD | 470 x (460-500) x 105 | ABS |



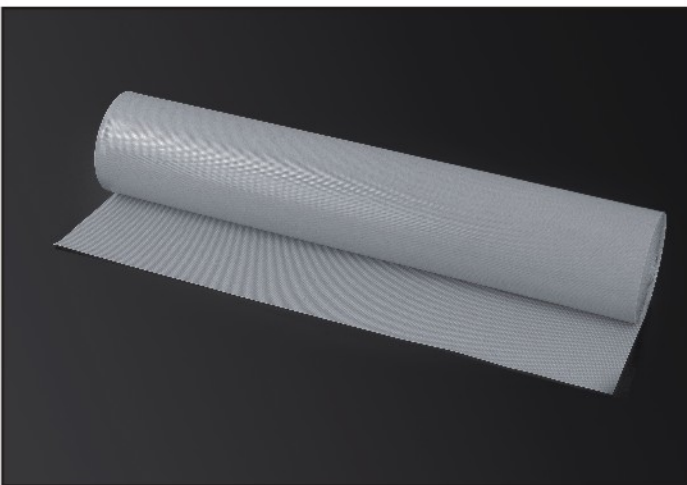
Work Extension Table

| Item Code | Dimensions (W x D x H) mm |
|-----------|---------------------------------|
| LPD 600 | (450 - 800) x (422 + 422) x 155 |



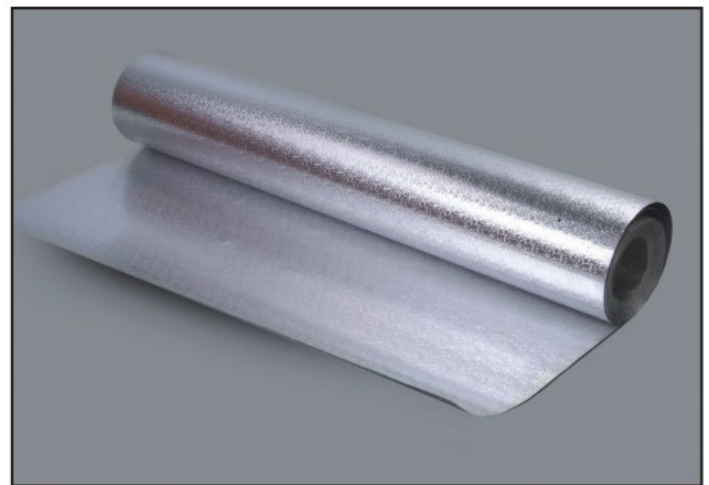
Bowl and Plate Fitment

| Item Code | Dimensions (W x D x H) mm |
|-----------|---------------------------|
| LBF | 102 x 470 x 120 |
| LPF | 142 x 470 x 110 |



Anti Slip Matt

| Item Code | Dimensions |
|----------------|-------------------|
| LASM Grey | 500 mm x 20 Mtrs. |
| LASM White | 500 mm x 20 Mtrs. |
| LASM Darg Grey | 500 mm x 20 Mtrs. |



Under Sink Foil

| Item Code | Dimensions |
|-----------|-------------------|
| LUSF | 1200 mm x 48 Mtrs |



DISH RACK PREMIUM

| Item Code | Cabinet Size | Material |
|-----------|--------------|----------|
| LDRP 600 | 600 mm | SS304 |
| LDRP 700 | 700 mm | SS304 |
| LDRP 800 | 800 mm | SS304 |
| LDRP 900 | 900 mm | SS304 |
| LDRP 1000 | 1000 mm | SS304 |

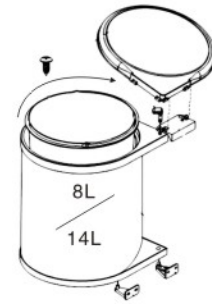
DESKTOP DISH RACK

| Item Code | Cabinet Size | Material |
|-----------|--------------|----------|
| LDDR 600 | 600 mm | SS201 |



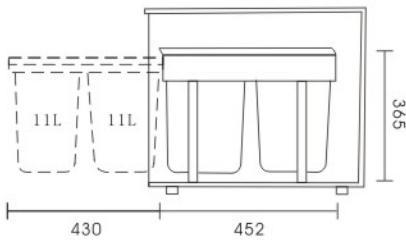
DISH RACK

| Item Code | Cabinet Size | Material |
|-----------|--------------|----------|
| LDR 600 | 600 mm | SS201 |
| LDR 700 | 700 mm | SS201 |
| LDR 800 | 800 mm | SS201 |
| LDR 900 | 900 mm | SS201 |
| LDR 1000 | 1000 mm | SS201 |



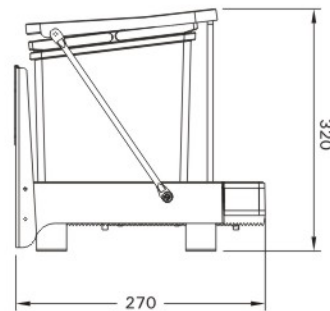
AUTO LID WASTE BIN

| Item Code | Dimension (WxDxH) mm | Capacity |
|-----------|----------------------|----------|
| LAWB8 | 300 x 300 x 280 | 8 Litre |
| LAWB14 | 320 x 360 x 360 | 14 Litre |



SLIDING WASTE BIN

| Item Code | Dimension (WxDxH) mm | Capacity |
|-----------|----------------------|-----------------|
| LSWB | 250 x 452 x 365 | 11Ltr. + 11Ltr. |



SWING OUT CABINET WASTE BIN

| Item Code | Dimension (WxDxH) mm | Capacity |
|-----------|----------------------|-----------------|
| LSCWB | 370 x 270 x 320 | 7 Ltr. + 7 Ltr. |

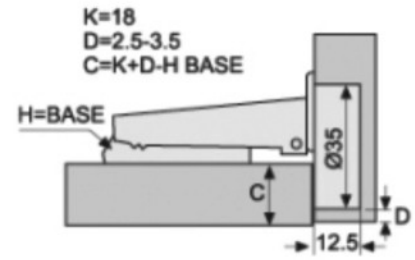
JOINERY FITTINGS





Auto Close Hinge

LACH0 0° Degree

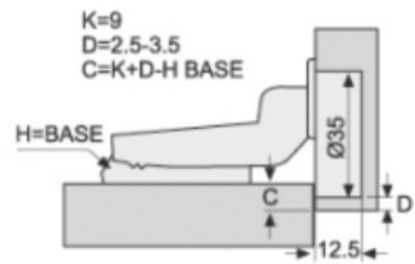


| D | 3 | 4 | 5 | 6 | 7 |
|---|---|---|----|----|----|
| 0 | 6 | 9 | 10 | 11 | 12 |
| 2 | 8 | 7 | 8 | 9 | 10 |

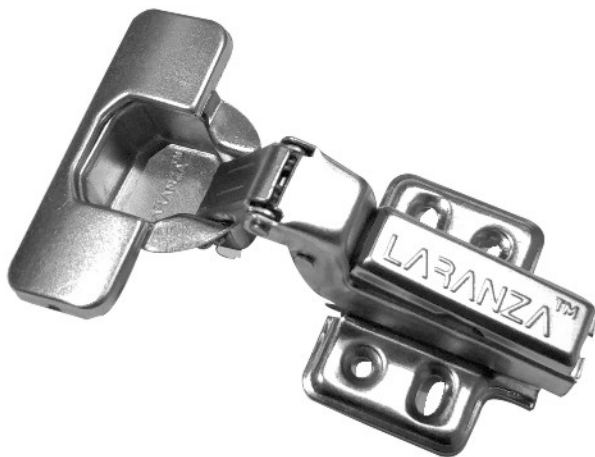


Auto Close Hinge

LACH8 8° Degree

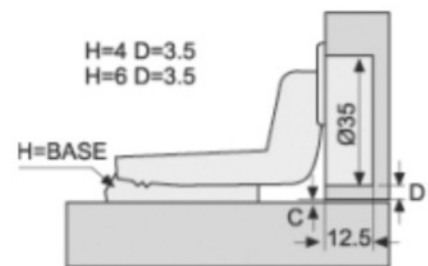


| D | 3 | 4 | 5 | 6 | 7 |
|---|---|---|----|----|----|
| 0 | 6 | 9 | 10 | 11 | 12 |
| 2 | 8 | 7 | 8 | 9 | 10 |



Auto Close Hinge

LACH15 15° Degree

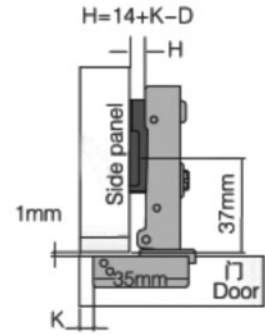


| D | 3 | 4 | 5 | 6 | 7 |
|---|---|---|----|----|----|
| 0 | 6 | 9 | 10 | 11 | 12 |
| 2 | 8 | 7 | 8 | 9 | 10 |



Soft Close Hinge

LHH0 0° Degree

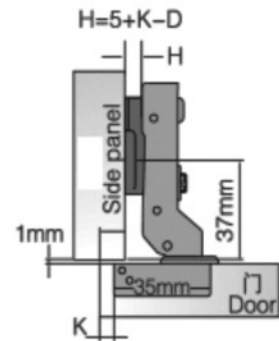


| D | K | 3 | 4 | 5 | 6 | 7 |
|---|---|---|---|----|----|----|
| 0 | | 6 | 9 | 10 | 11 | 12 |
| 2 | | 8 | 7 | 8 | 9 | 10 |



Soft Close Hinge

LHH8 8° Degree

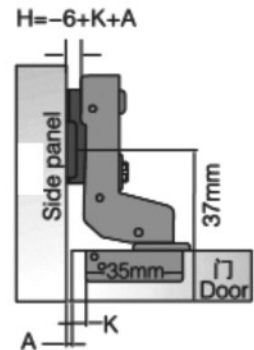


| D | K | 3 | 4 | 5 | 6 | 7 |
|---|---|---|---|----|----|----|
| 0 | | 6 | 9 | 10 | 11 | 12 |
| 2 | | 8 | 7 | 8 | 9 | 10 |

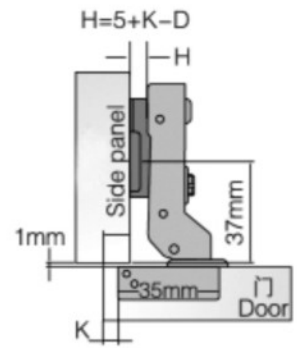


Soft Close Hinge

LHH15 15° Degree



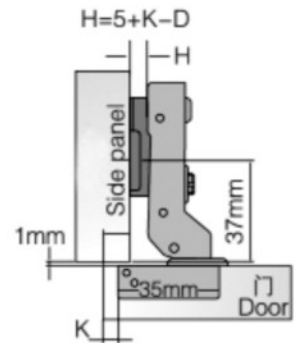
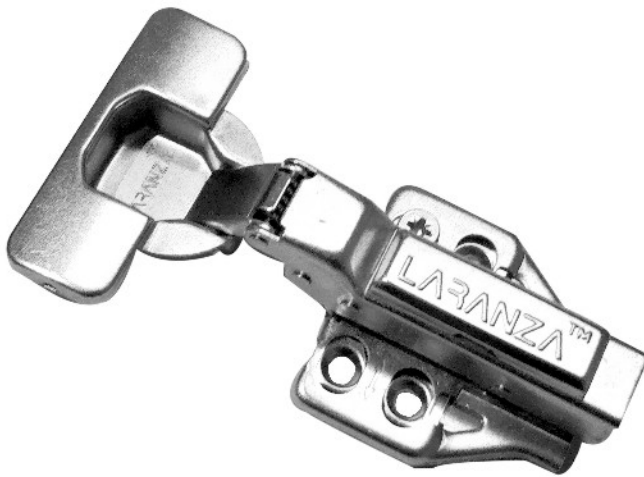
| D | K | 3 | 4 | 5 | 6 | 7 |
|---|---|---|---|----|----|----|
| 0 | | 6 | 9 | 10 | 11 | 12 |
| 2 | | 8 | 7 | 8 | 9 | 10 |



3D Soft Close Hinge

| | | | | | |
|----------|---|---|----|----|----|
| P | 3 | 4 | 5 | 6 | 7 |
| 0 | 6 | 9 | 10 | 11 | 12 |
| 2 | 8 | 7 | 8 | 9 | 10 |

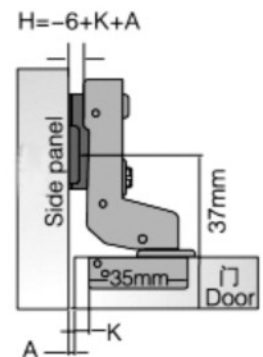
L3DH0 0° Degree



3D Soft Close Hinge

| | | | | | |
|----------|---|---|----|----|----|
| P | 3 | 4 | 5 | 6 | 7 |
| 0 | 6 | 9 | 10 | 11 | 12 |
| 2 | 8 | 7 | 8 | 9 | 10 |

L3DH8 8° Degree



3D Soft Close Hinge

| | | | | | |
|----------|---|---|----|----|----|
| P | 3 | 4 | 5 | 6 | 7 |
| 0 | 6 | 9 | 10 | 11 | 12 |
| 2 | 8 | 7 | 8 | 9 | 10 |

L3DH15 15° Degree



165° Degree Hinge

L165N 165° Degree

L165SC 165° Degree



Blind Corner Hinge

L90DSC 90° Soft Close



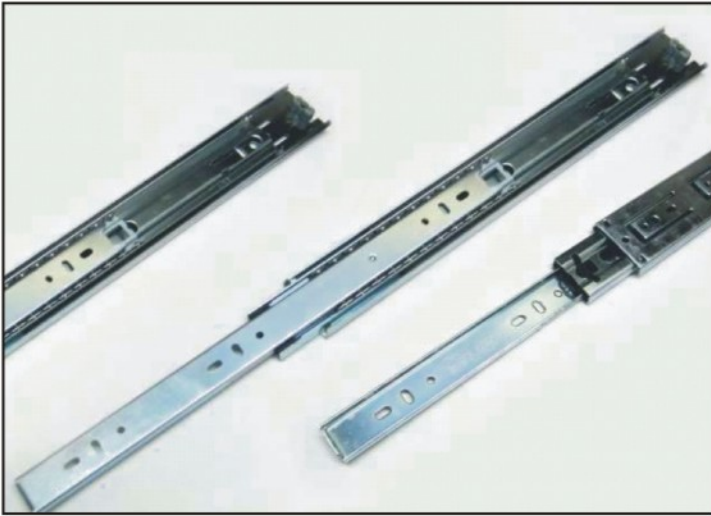
135° Corner Hinge

LPCH Pie Cut



45° Corner Hinge

L45DSC 45° Soft Close



Drawer Telescopic Slides

| Item Code | Size | Weight Capacity |
|-----------|---------|-----------------|
| LTS - 10 | 10 Inch | 45 KG |
| LTS - 12 | 12 Inch | 45 KG |
| LTS - 14 | 14 Inch | 45 KG |
| LTS - 16 | 16 Inch | 45 KG |
| LTS - 18 | 18 Inch | 45 KG |
| LTS - 20 | 20 Inch | 45 KG |

Wire Quadro

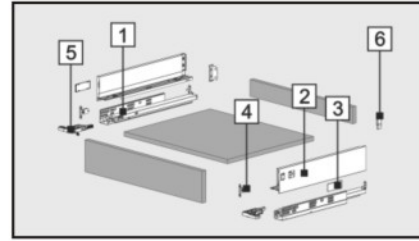
| Item Code | Size | Weight Capacity |
|-----------|--------|-----------------|
| LWQ500 | 500 mm | 35 KG |



Soft Close Quadro

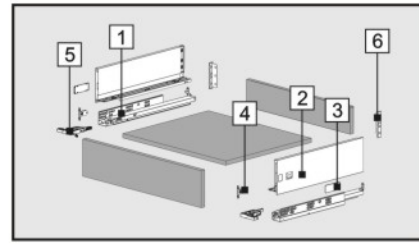
| Item Code | Size | Weight Capacity |
|-----------|--------|-----------------|
| LQ350 | 350 mm | 35 KG |
| LQ400 | 400 mm | 35 KG |
| LQ450 | 450 mm | 35 KG |
| LQ500 | 500 mm | 35 KG |





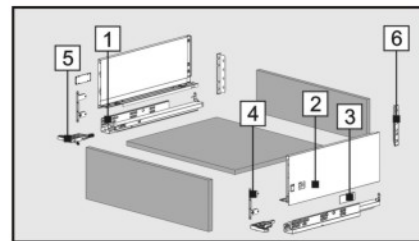
SLIM BOX (500 mm)

| Item Code | Height | Color |
|---------------|--------|-----------------|
| LSLIMBOX-M500 | 84 mm | Anthracite Grey |



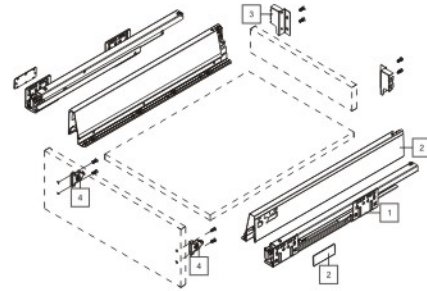
SLIM BOX (500 mm)

| Item Code | Height | Color |
|---------------|--------|-----------------|
| LSLIMBOX-B500 | 125 mm | Anthracite Grey |



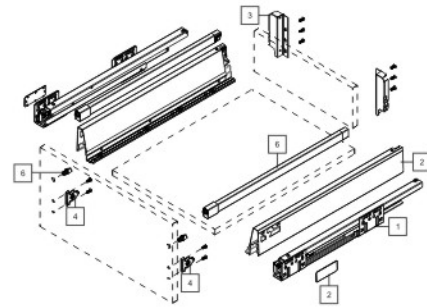
SLIM BOX (500 mm)

| Item Code | Height | Color |
|---------------|--------|-----------------|
| LSLIMBOX-D500 | 185 mm | Anthracite Grey |



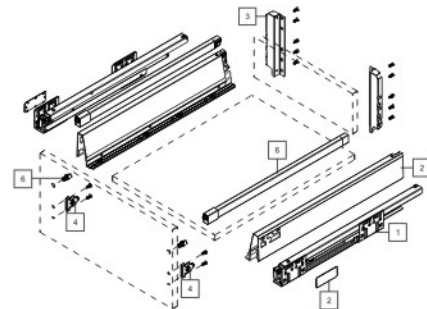
DRAWER M HEIGHT

| Item Code | Depth | Color |
|------------|-------|--------------|
| LBOX-MS500 | 500 | Flash Silver |



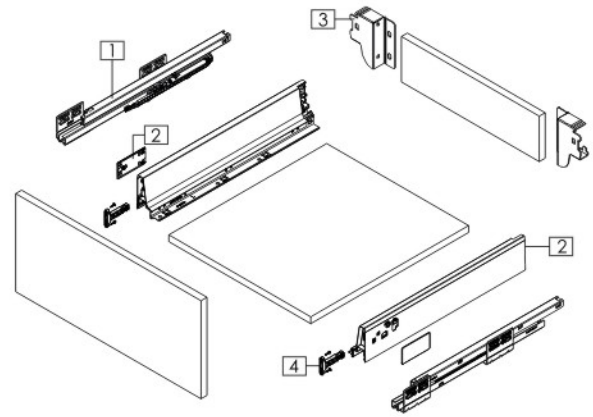
DRAWER B HEIGHT

| Item Code | Depth | Color |
|------------|-------|--------------|
| LBOX-BS500 | 500 | Flash Silver |



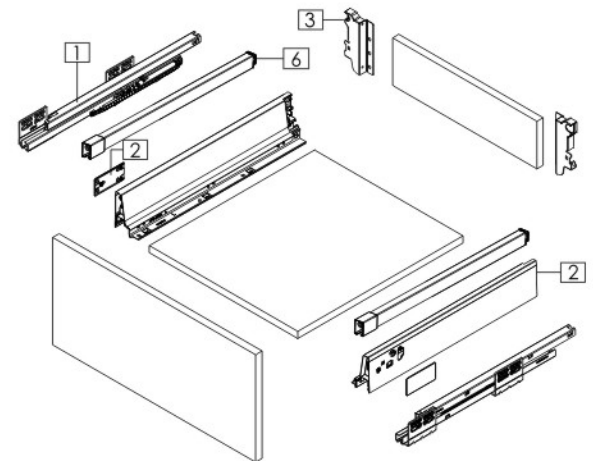
DRAWER D HEIGHT

| Item Code | Depth | Color |
|------------|-------|--------------|
| LBOX-DS500 | 500 | Flash Silver |



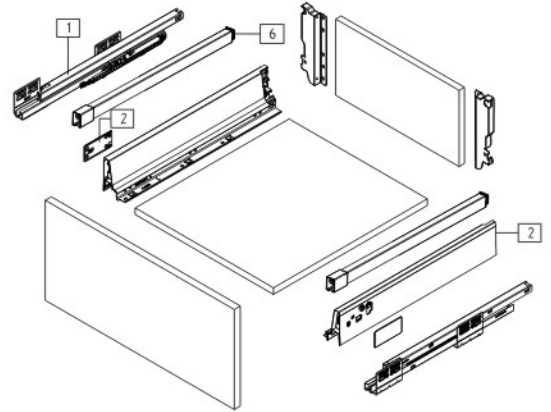
Drawer M Height

| Item Code | Depth | Color |
|------------|--------|-------|
| LBOX-MW300 | 300 mm | White |
| LBOX-MW350 | 350 mm | White |
| LBOX-MW400 | 400 mm | White |
| LBOX-MW450 | 450 mm | White |
| LBOX-MW500 | 500 mm | White |



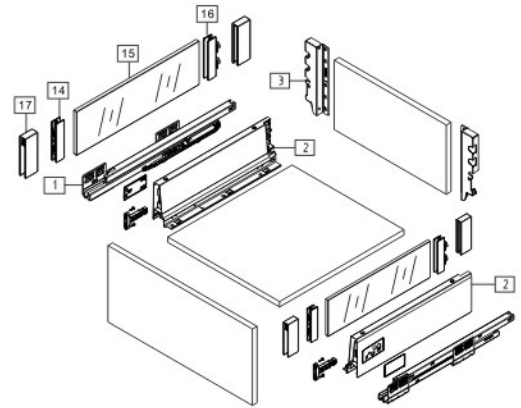
Drawer B Height

| Item Code | Depth | Color |
|-----------|--------|-------|
| LBOX-BWSG | 300 mm | White |
| LBOX-BWSG | 350 mm | White |
| LBOX-BWSG | 400 mm | White |
| LBOX-BWSG | 450 mm | White |
| LBOX-BWSG | 500 mm | White |



Drawer D Height

| Item Code | Depth | Color |
|--------------|--------|-------|
| LBOX-DWSG300 | 300 mm | White |
| LBOX-DWSG350 | 350 mm | White |
| LBOX-DWSG400 | 400 mm | White |
| LBOX-DWSG450 | 450 mm | White |
| LBOX-DWSG500 | 500 mm | White |



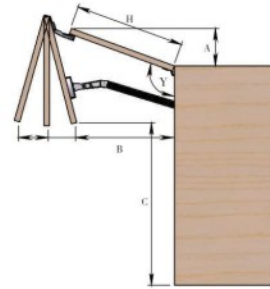
Drawer Glass D Height

| Item Code | Depth | Color |
|-------------|--------|-------|
| LBOX-DWG500 | 500 mm | White |



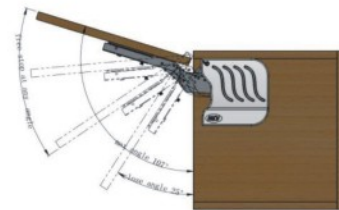
Liftup Bi-Fold

LBFL Weight Capacity 10KGs



Liftup 90Deg

L90L Weight Capacity 3 to 5KGs



Heavy Hydraulic Stay

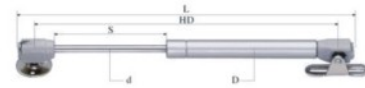
LHHS Weight Capacity 12KGs





Gas Shocker

| | | |
|-----------|------------|------------|
| LGS60N | LGS100N | LGS150N |
| LGS60N-SC | LGS100N-SC | LGS150N-SC |



Kamani Stay

| | | |
|------|-----------------|------|
| LKMS | Weight Capacity | 6KGs |
|------|-----------------|------|



Flap Stay

| | | |
|------|-----------------|------|
| LFLS | Weight Capacity | 6KGs |
|------|-----------------|------|



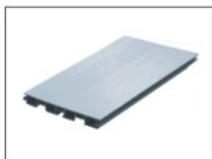


PVC LEG

100 mm



PLINTH CLIP



ALUMINIUM SKIRTING

100 mm



90 D PLINTH CONNECTOR

100 mm



180 D PLINTH CONNECTOR

100 mm



DOWEL (WOODEN)

8 X 40 mm



MINIFIX (3 PART)



CONNECTING SCREW

22mm, 27mm, 32mm, 38mm



BAR TABLE LEG

Straight



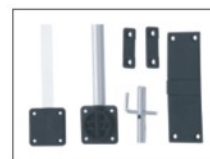
**CABINET SUSPENSION
BRACKET**



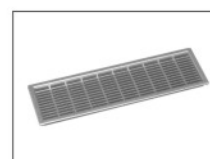
BUFFER



PUSH OPEN CATCHER



DOOR STRAIGHTENER



VENTILATING FRAME



SPICE GLASS BOTTLE



SHELF SUPPORT



MICROWAVE STAND



EDGE BENDING

Matt, HG, Wood Grain

WARDROBE & LIGHTS





Soft Close Rattan Basket

| Item Code | Dimensions (W x D x H) mm | Cabinet Size |
|-----------|---------------------------|--------------|
| LWRB 600 | 564 x 480 x 200 | 600 |
| LWRB 900 | 864 x 480 x 200 | 900 |



Soft Close Decorative Shelf

| Item Code | Dimensions (W x D x H) mm | Cabinet Size |
|-----------|---------------------------|--------------|
| LWDS 900 | 864 x 480 x 200 | 900 |
| LWDSW 900 | 864 x 480 x 200 | 900 |



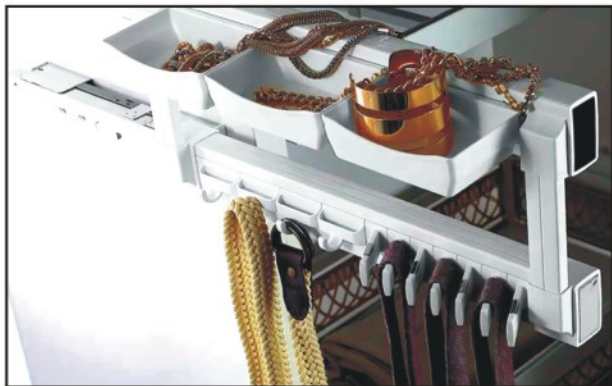
Soft Close Trousers Rack

| Item Code | Dimensions (W x D x H) mm | Cabinet Size |
|-----------|---------------------------|--------------|
| LWTR 900 | 864 x 480 x 200 | 900 |



Soft Close Shoe Rack

| Item Code | Dimensions (W x D x H) mm | Cabinet Size |
|-----------|---------------------------|--------------|
| LWSR 900 | 864 x 480 x 200 | 900 |



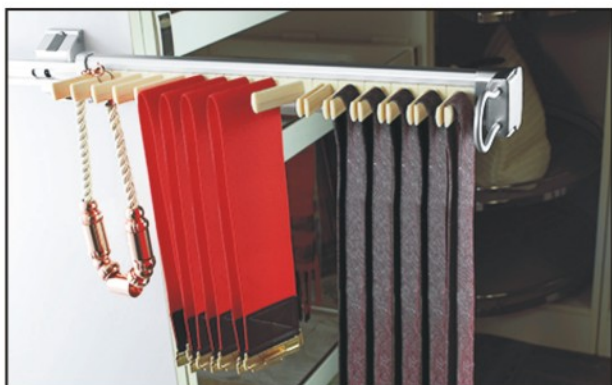
Lateral Storage Unit

| Item No. | Dimension |
|----------|-----------------------|
| LWLSU | W 130 x D 460 x H 220 |



Clothes Hanging Rack

| Item No. | Dimension |
|----------|-----------------------|
| LWCHR | W 120 x D 460 x H 135 |



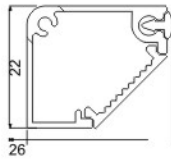
Tie and Belt Rack

| Item No. | Dimension |
|----------|----------------------|
| LWTBR | W 140 x D 460 x H 70 |



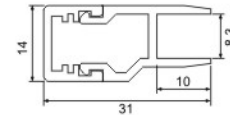
Tie Rack

| Item No. | Dimension |
|----------|----------------------|
| LWTR | W 140 x D 460 x H 70 |



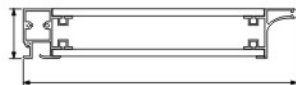
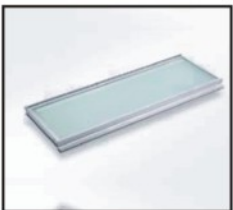
Drawer Cabinet Light(IR Sensor)

| Item No. | Size | Cabinet Width |
|----------|---------------|---------------|
| LDCL 600 | 564 x 26 x 22 | 600 |
| LDCL 900 | 864 x 26 x 22 | 900 |



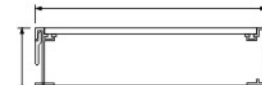
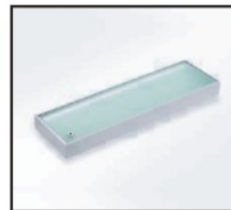
Glass Insert LED Light

| Item No. | Size | Cabinet Width |
|----------|---------------|---------------|
| LGIL 600 | 564 x 26 x 22 | 600 |
| LGIL 900 | 864 x 26 x 22 | 900 |



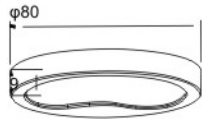
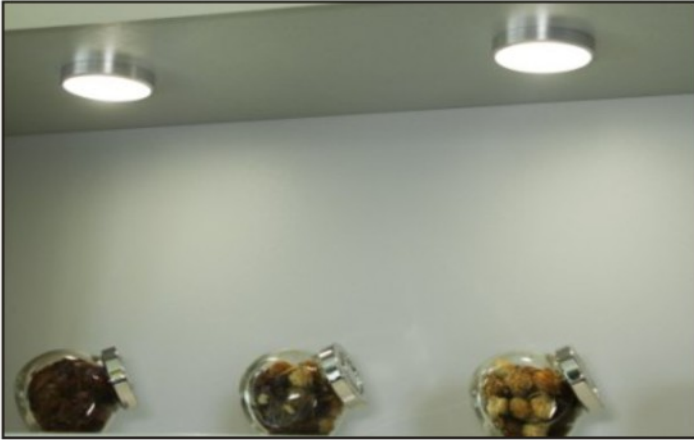
Under Cabinet Shelf LED Light

| Item No. | Size | Cabinet Width |
|----------|---------------|---------------|
| LUCL 600 | 564 x 26 x 22 | 600 |
| LUCL 900 | 864 x 26 x 22 | 900 |



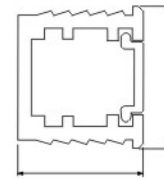
Wall Mount Shelf LED Light

| Item No. | Size | Cabinet Width |
|----------|----------------|---------------|
| LUCL 600 | 600 x 180 x 49 | 600 |



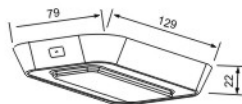
LED Round Light

| Item No. | Size |
|----------|-----------|
| LLRL | 80 x 9 mm |



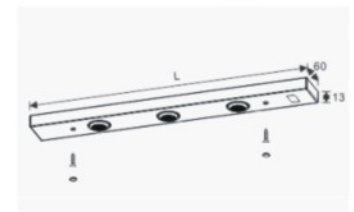
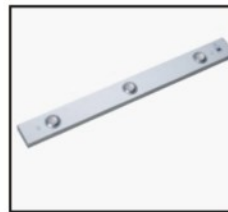
Pantry Insert Light

| Item No. | Size |
|----------|---------------------|
| LPIL | 16mm x 14 mm x 2 mm |



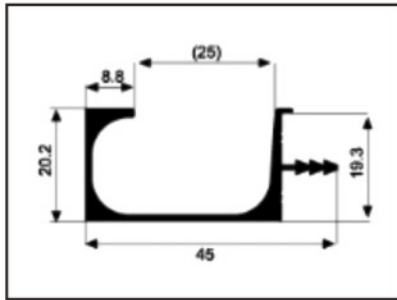
LED Square Light (IR Sensor)

| Item No. | Size |
|----------|--------------------|
| LLRL | 2.5 x 155 x 160 mm |

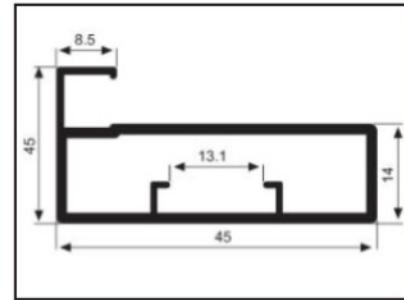


Under Cabinet Mount Light (Passing Hand Sensor)

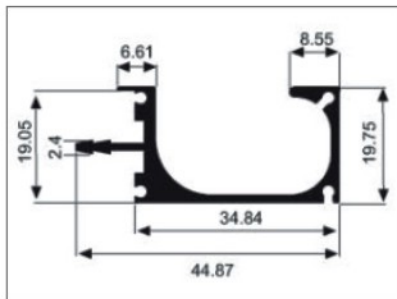
| Item No. | Size | Cabinet Width |
|-----------|---------------|---------------|
| LUCML 600 | 600 x 13 x 60 | 600 |
| LUCML 900 | 900 x 13 x 60 | 900 |



Anodized, CP Brush
SS Brush, Rose Gold

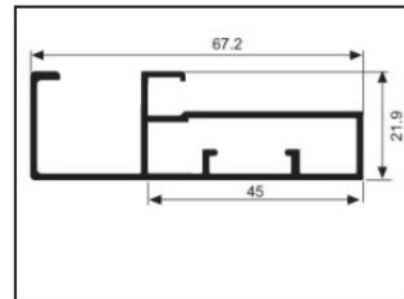


Anodized,
CP Brush, Rose Gold

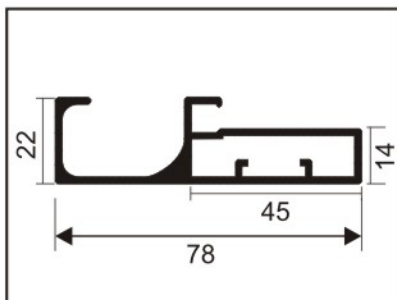


G-Sec End Cap

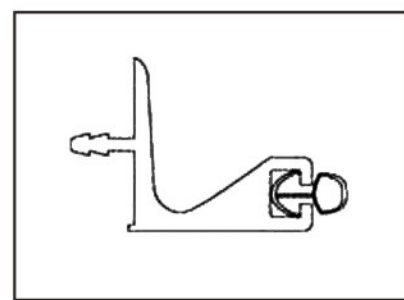
Anodized, CP Brush
SS Brush, Rose Gold



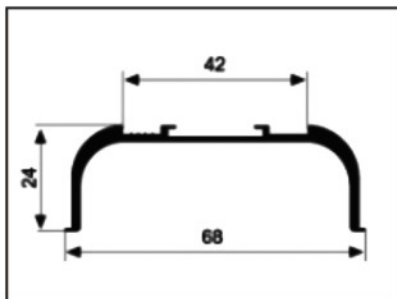
Anodized, CP Brush
Rose Gold



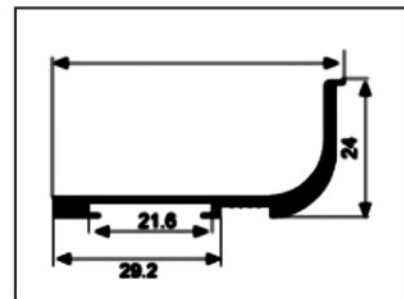
Anodized



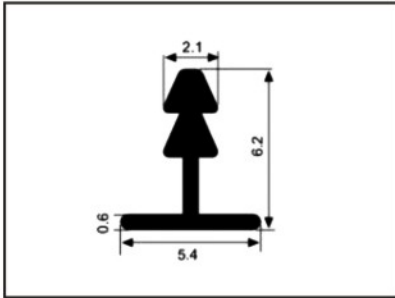
Finish CP



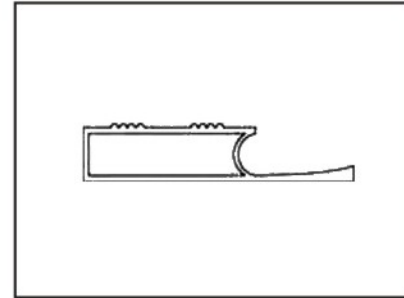
Finish CP



Finish CP



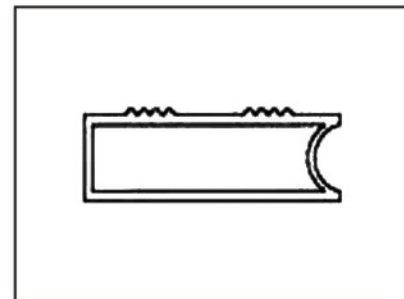
In lay Profile
Sizes 6mm,8mm,12mm



Glass Pasting Handle
CP and Anodized



C and J gola Connector
Connecting Clip



Glass Pasting Frame
CP and Anodized



G end Cap
Finish CP



Profile Connectors



Pull Grip Handle
Item Code : 1009
Finish CP



Pull Grip Handle
Item Code : 1010
Finish CP

Notes

A series of horizontal dotted lines for writing notes.

LARANZA™
GERMAN TECH

Display Showroom :
65, New Aatish Market
Mansarovar
Jaipur (Rajasthan)



Website : www.laranza.in